

APPLICATION

The GVF V2 range of SS Industrial ball valves are suitable for high pressure water, oil and gas applications.

TECHNICAL DATA

Style:	2 Piece Full bore body – WOG
Standards:	API 598
Size Range:	DN 8 – DN 100
Pressure Rating:	1000 psi W.O.G. (PN69 max) (Derates at higher temperatures – refer graph)
Working Pressure:	PN40 max for water applications
Temperature:	-20 to 150 deg C
Material:	316SS full bore body, stem, ball and cap
End connections:	F-BSP threaded to ISO 7-1
Actuator:	SS Lever Handle with locking device

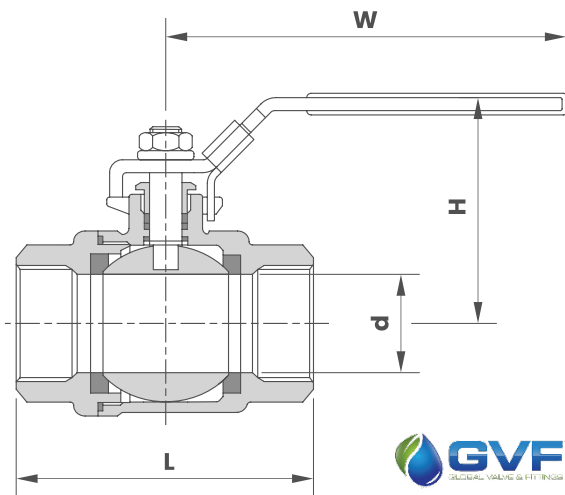


FEATURES

- High strength and corrosion resistant materials
- Full bore design for maximum flow
- 2 Piece design for valve maintenance
- Lever handle with locking device

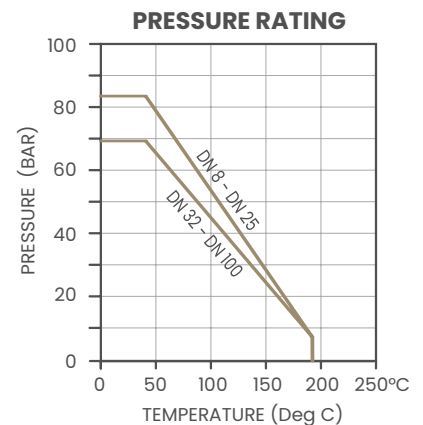
COMPONENTS

PART	MATERIAL
Body	CF8M
Cap	CF8M
Ball	CF8M
Stem	SS Gr 316
Gaskets	PTFE
Washers	PTFE
Seals	PTFE
Stem Packing	PTFE
Gland	SS Gr 304
Spring Washer	SS Gr 304
Fasteners	SS Gr 304
Handle & Lock	SS Gr 304
Handle Sleeve	PVC



DIMENSIONS

DN	ENDS	d mm	L mm	H mm	W mm	CODE
8	F/F BSP	12	48	48	100	BVBLS08
10	F/F BSP	12	48	48	100	BVBLS10
15	F/F BSP	15	58	52	100	BVBLS15
20	F/F BSP	20	66	61	127	BVBLS20
25	F/F BSP	25	77	65	127	BVBLS25
32	F/F BSP	32	90	79	154	BVBLS32
40	F/F BSP	40	98	83	154	BVBLS40
50	F/F BSP	50	121	97	192	BVBLS50
65	F/F BSP	65	145	135	244	BVBLS65
80	F/F BSP	80	166	144	244	BVBLS80
100	F/F BSP	100	240	159	275	BVBLS100



CIVILPIPES PTY LTD

ABN 30 168 566 667
2 Potassium St. Narangba Qld 4504
PO Box 304, North Lakes Qld 4509



Web:
civilpipes.com.au



Telephone:
+61 7 3053 3456



E-mail:
sales@civilpipes.com.au



BVS2_0325