

SOCKET PN16
DN 100 – 375

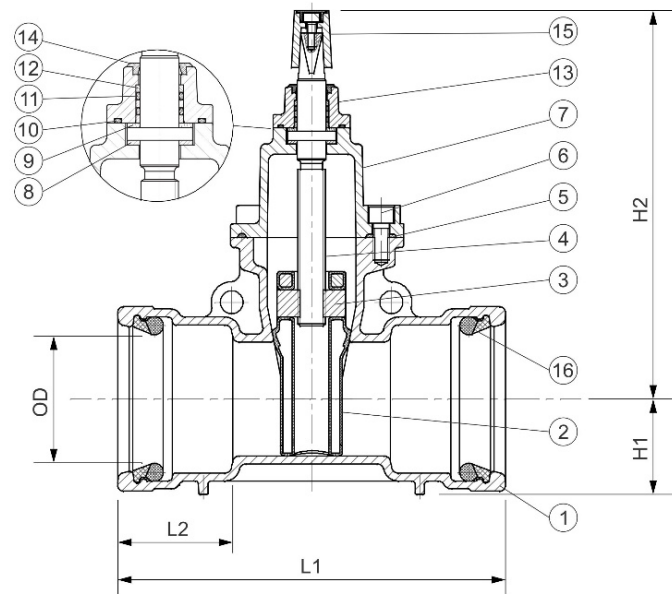


APPLICATIONS

Resilient seat gate valves comply with AS 2638.2 and are suitable for use in potable water, non-potable water and wastewater systems installed above ground and below ground.

TECHNICAL DATA

Standard:	AS 2638.2 (Lic OMK25731) WSAA Product Appraisal 1121 Issue 8 – Beta Valves
Size Range:	DN 100 – DN 375
Pressures:	Operating Pressure 1600 kPa (PN 16) Test Pressure – Seal 1760 kPa Test Pressure – Body 2400 kPa
Temperatures:	Max 80 deg C, Max 40 deg C for potable water systems to AS 4020
Coating:	Fusion Bonded coating to AS/NZS 4158
End connections:	Socket (AS/NZS 2280)
Closing options:	Anti-clockwise (ACC) and Clockwise closing (CC)
Options:	Handwheels or Gearbox actuators ISO flange for gearbox actuators Extension spindles Socket Seal Ring to suit PVC Series 1



FEATURES

- High strength and corrosion resistant materials
- EPDM encapsulated ductile iron wedge ensures effective sealing
- Full bore design eliminates blockages
- Anti-friction components for lower operating torques

COMPONENTS

ITEM	PART	MATERIAL	STANDARD
1	Body	Ductile Iron Gr 500-7	AS 1831
2	Wedge	Ductile Iron Gr 500-7, EPDM encapsulated	AS 1831 AS 1646
3	Stem Nut	DR Brass C48600	AS 1568
4	Stem	Stainless Steel Gr 431	ASTM A276
5	Bonnet Gasket	EPDM	AS 1646
6	Bolts – Bonnet, Dust Cover & Stem Cap	Stainless Steel Gr 316	ASTM A276
7	Bonnet	Ductile Iron Gr 500-7	AS 1831
8	Washer	EPDM	AS 1646
9	Washer	DR Brass C48600	AS 1568
10	Bonnet O-Ring	NBR	AS 1646
11	O-Ring Seals	NBR	AS 1646
12	Thrust Collars	POM	AS 1646
13	Seal Retainer	DN80-150 – SS Gr 316 Other sizes – DI Gr 500-7	ASTM A276 AS 1831
14	Dust Cover	EPDM	AS 1646
15	Stem Cap	Ductile Iron Gr 500-7	AS 1831
16	Socket Seal Ring	EPDM	AS 1646

DIMENSIONS

DN	OD	L1	L2	H1	H2	No Turns	Torque In Nm	Weight kg	ACC	CC
100	122	342	100	87	330	22	60	24	VGS10	VGS10C
150	177	372	105	117	420	32	110	46	VGS15	VGS15C
200	232	456	120	144	580	35	140	71	VGS20	VGS20C
225	259	477	135	158	675	43	200	86	VGS22	VGS22C
250	286	482	144	172	675	43	200	92	VGS25	VGS25C
300	345	520	144	203	752	51	220	138	VGS30	VGS30C
375	426	600	172	250	1035	55	310	295	VGS37	VGS37C

CIVILPIPES PTY LTD

ABN 30 168 566 667
2 Potassium St. Narangba Qld 4504
PO Box 304, North Lakes Qld 4509



Web:
civilpipes.com.au



Telephone:
+61 7 3053 3456



E-mail:
sales@civilpipes.com.au

