

FLANGE ISO MOUNT PN16

DN 450 – 600

APPLICATIONS

Betta Resilient seat gate valves comply with AS/NZS 2638.2 and are suitable for use in potable water, non-potable water and wastewater systems installed above ground and below ground.

The VGFI Series model with ISO flange is designed to be operated by a mounted gearbox actuator.

TECHNICAL DATA

- Standard: AS/NZS 2638.2 (Lic OMK25731)
WSAA Product Appraisal I121 – Betta Valves
- Size Range: DN 450 – DN 600
- Pressures: Operating Pressure 1600 kPa (PN 16)
Test Pressure – Seal 1760 kPa
Test Pressure – Body 2400 kPa
- Temperatures: Max 80 deg C,
Max 40 deg C for potable water systems to AS 4020
- Coating: Fusion Bonded coating to AS/NZS 4158
- End connections: Flange (AS 4087, PN16)
- Actuator Flange: F16 ISO 5211 Flange
- Closing options: Anti-clockwise (ACC) and Clockwise closing (CC)
- Options: Handwheels or Gearbox actuators
Extension spindles
Restraint – Anchor Legs and SS Straps
Alternate Flange drillings available on request

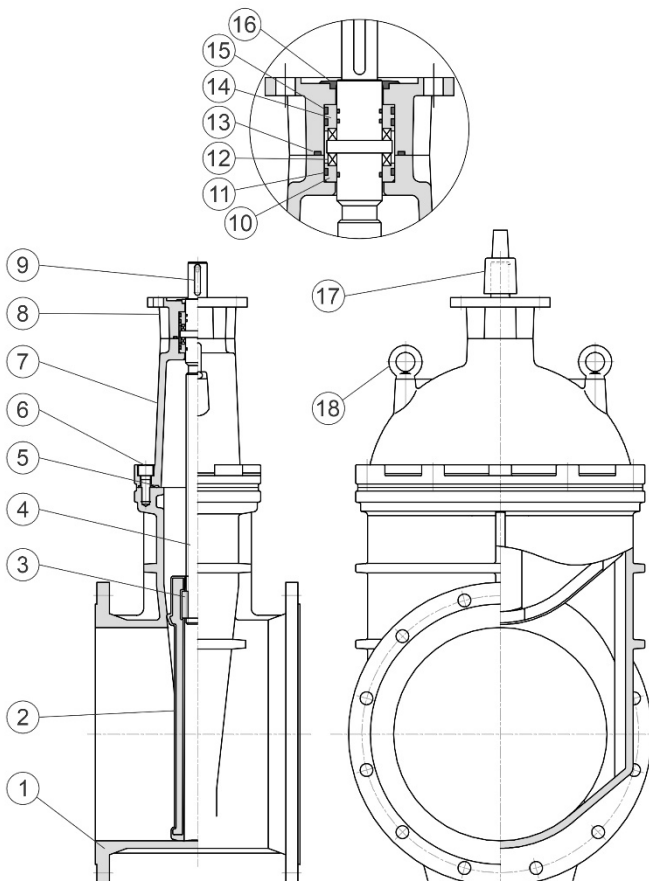


FEATURES

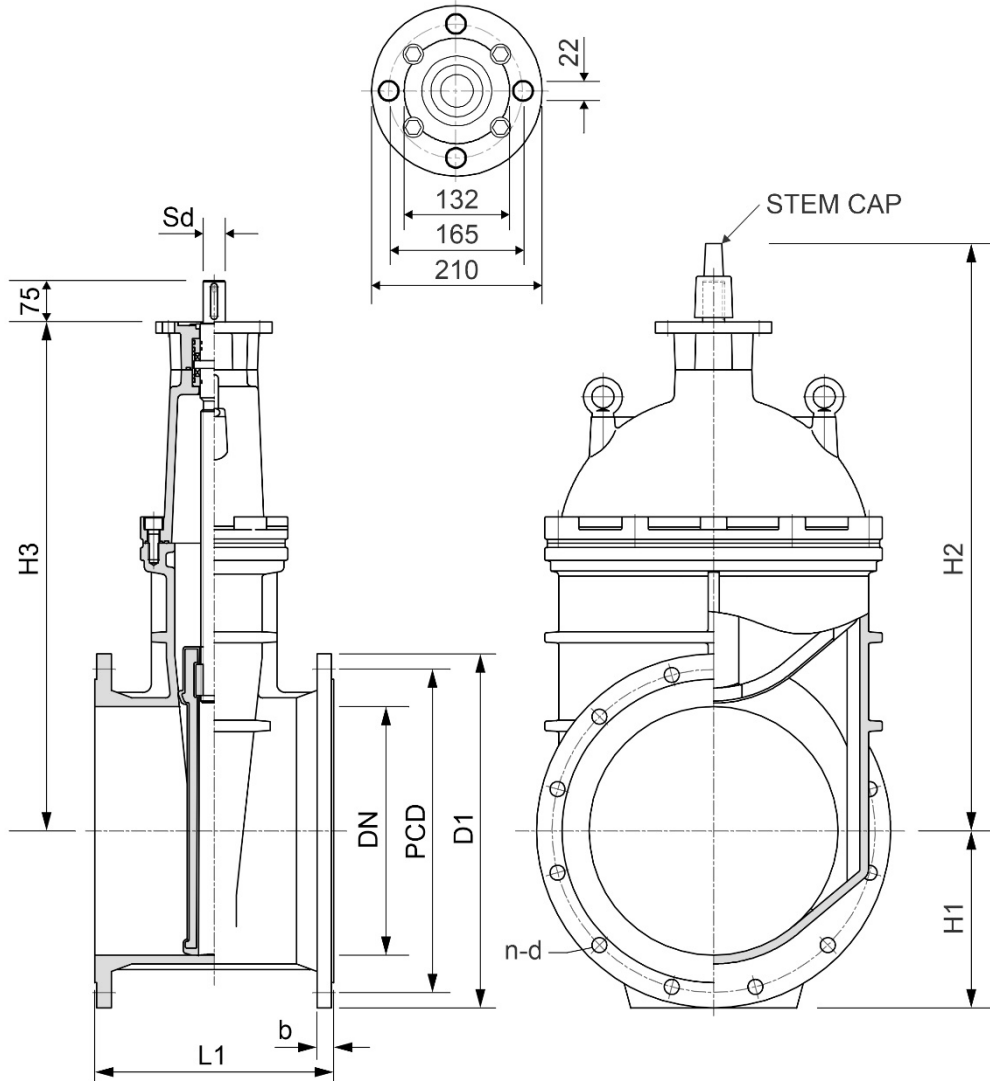
- High strength and corrosion resistant materials
- EPDM encapsulated ductile iron wedge ensures effective sealing
- Full bore design eliminates blockages
- Anti-friction components for lower operating torques
- Integrated cast in foot design provides stability
- Isolated fasteners are encapsulated with hot melt silicon coating
- Valve can be installed in either the vertical or horizontal position.
- 10 Year Manufacturer's Warranty against Defects.

COMPONENTS

ITEM	PART	MATERIAL	STANDARD
1	Body	Ductile Iron Gr 500-7	AS 1831
2	Wedge	Ductile Iron Gr 500-7, EPDM encapsulated	AS 1831 AS 1646
3	Stem Nut	Alum Bronze C95210	AS 1565
4	Stem	Stainless Steel Gr 431	ASTM A276
5	Body Bonnet Gasket	EPDM	AS 1646
6	Bolts – Bonnet, Gland & Stem Cap	Stainless Steel Gr 316	ASTM A276
7	Bonnet	Ductile Iron Gr 500-7	AS 1831
8	Gland ISO Flange	Ductile Iron Gr 500-7	AS 1831
9	Stem Key	Stainless Steel	ASTM A276
10	Bushing	DR Brass C48600	AS 1568
11	Stem Seals	NBR	AS 1646
12	Bearing		
13	Gland O-Ring	NBR	AS 1646
14	Bushing	DR Brass C48600	AS 1568
15	Stem Seals	NBR	AS 1646
16	Dust Cover	EPDM	AS 1646
17	Stem Cap	Ductile Iron Gr 500-7	AS 1831
18	Eyebolt	Carbon Steel	Galv



F16 ISO FLANGE



DIMENSIONS

DN	L1	H1	H2	H3	Sd	D1	PCD	n-d	b	No Turns	Torque In Nm	Weight kg	ACC	CC
450	432	320	1070	920	40	640	584	12-26d	33	58	420	395	VGFI45	VGFI45C
500	457	353	1165	1010	40	705	641	16-26d	35	64	500	510	VGFI50	VGFI50C
600	508	413	1340	1185	40	825	756	16-30d	42	68	535	780	VGFI60	VGFI60C

CIVILPIPES PTY LTD

ABN 30 168 566 667
 2 Potassium St. Narangba Qld 4504
 PO Box 304, North Lakes Qld 4509



Web:
civilpipes.com.au



Telephone:
 +61 7 3053 3456



E-mail:
sales@civilpipes.com.au

