

APPLICATIONS

Betta Resilient seat gate valves comply with AS/NZS 2638.2 and are suitable for use in potable water, non-potable water and wastewater systems installed above ground and below ground.

The VGF Series model with stem cap is designed to be operated by handwheel or handheld portable actuator.

TECHNICAL DATA

Standard:	AS/NZS 2638.2 (Lic OMK25731) WSAA Product Appraisal 1121 – Betta Valves
Size Range:	DN 350 – DN 400
Pressures:	Operating Pressure 1600 kPa (PN 16) Test Pressure – Seal 1760 kPa Test Pressure – Body 2400 kPa
Temperatures:	Max 80 deg C, Max 40 deg C for potable water systems to AS 4020
Coating:	Fusion Bonded coating to AS/NZS 4158
End connections:	Flange (AS 4087, PN16)
Closing options:	Anti-clockwise (ACC) and Clockwise closing (CC)
Options:	Handwheels or Gearbox actuators Extension spindles Restraint – Anchor Legs and SS Straps Alternate Flange drillings available on request

FLANGE PN16
DN 350 – 400

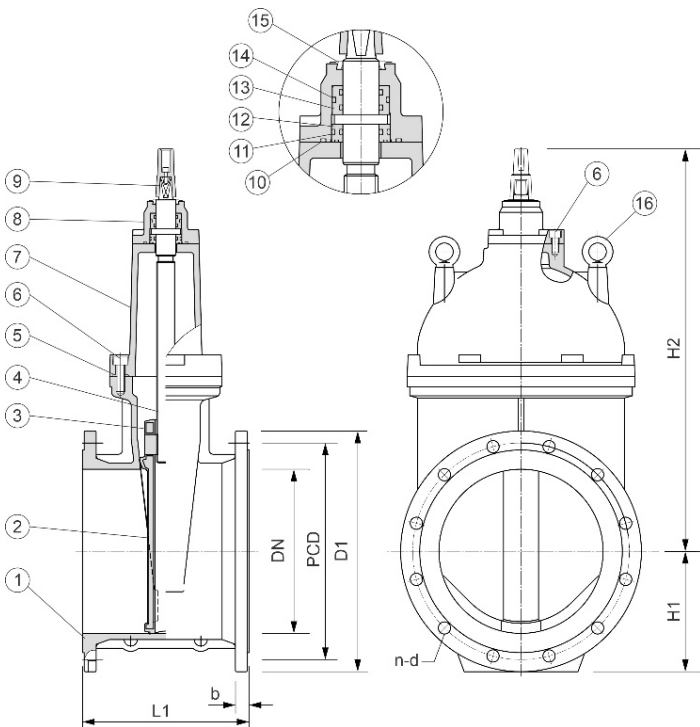


FEATURES

- High strength and corrosion resistant materials
- EPDM encapsulated ductile iron wedge ensures effective sealing
- Full bore design eliminates blockages
- Anti-friction components for lower operating torques
- Integrated cast in foot design provides stability
- Isolated fasteners are encapsulated with hot melt silicon coating
- Valve can be installed in either the vertical or horizontal position.
- 10 Year Manufacturer's Warranty against Defects.

COMPONENTS

ITEM	PART	MATERIAL	STANDARD
1	Body	Ductile Iron Gr 500-7	AS 1831
2	Wedge	Ductile Iron Gr 500-7, EPDM encapsulated	AS 1831 AS 1646
3	Stem Nut	DR Brass C48600	AS 1568
4	Stem	Stainless Steel Gr 431	ASTM A276
5	Bonnet Gasket	EPDM	AS 1646
6	Bolts – Bonnet, Dust Cover & Stem Cap	Stainless Steel Gr 316	ASTM A276
7	Bonnet	Ductile Iron Gr 500-7	AS 1831
8	Gland	Stainless Steel Gr 316	ASTM A276
9	Stem Cap	Ductile Iron Gr 500-7	AS 1831
10	Gland O-Ring	NBR	AS 1646
11	Stem Seals	NBR	AS 1646
12	Bushing	DR Brass C48600	AS 1568
13	Bushing	DR Brass C48600	AS 1568
14	Stem Seals	NBR	AS 1646
15	Dust Cover	EPDM	AS 1646
16	Eyebolt	Carbon Steel	Galv



DIMENSIONS

DN	L1	H1	H2	D1	PCD	n-d	b	No Turns	Torque In Nm	Weight kg	ACC	CC
350	381	263	925	525	470	12-26d	33	55	350	250	VGf35	VGf35C
375	381	275	925	550	495	12-26d	33	55	330	225	VGf37	VGf37C
400	406	290	1130	580	521	12-26d	33	52	360	295	VGf40	VGf40C

CIVILPIPES PTY LTD

ABN 30 168 566 667
2 Potassium St. Narangba Qld 4504
PO Box 304, North Lakes Qld 4509



Web:
civilpipes.com.au



Telephone:
+61 7 3053 3456



E-mail:
sales@civilpipes.com.au

