

APPLICATIONS

Betta Resilient seat gate valves comply with AS/NZS 2638.2 and are suitable for use in potable water, non-potable water and wastewater systems installed above ground and below ground.

The VGF Series model with stem cap is designed to be operated by handwheel or handheld portable actuator.

TECHNICAL DATA

Standard:	AS/NZS 2638.2 (Lic OMK25731) WSAA Product Appraisal 1121 – Betta Valves
Size Range:	DN 125
Pressures:	Operating Pressure 1600 kPa (PN 16) Test Pressure – Seal 1760 kPa Test Pressure – Body 2400 kPa
Temperatures:	Max 80 deg C, Max 40 deg C for potable water systems to AS 4020
Coating:	Fusion Bonded coating to AS/NZS 4158
End connections:	Flange (AS 4087, PN16)
Closing options:	Anti-clockwise (ACC) and Clockwise closing (CC)
Options:	Handwheels or Gearbox actuators Extension spindles Restraint – Anchor Legs and SS Straps Alternate Flange drillings available on request



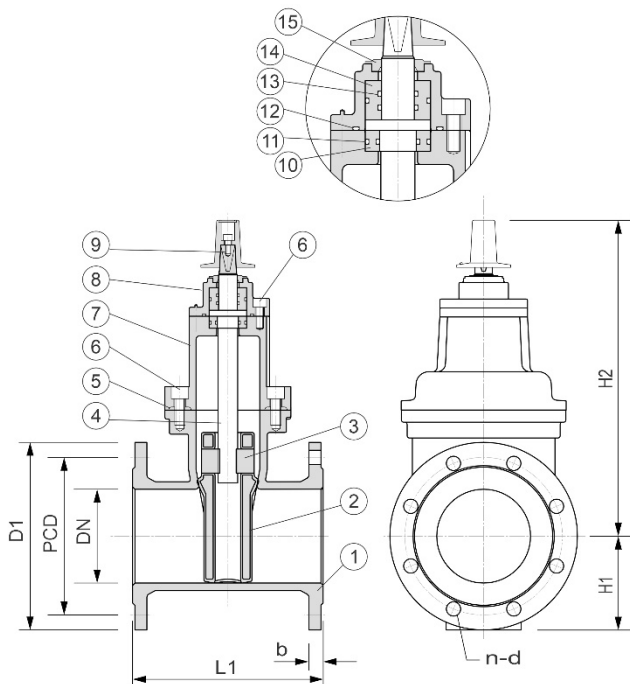
FLANGE PN16
DN 125

FEATURES

- High strength and corrosion resistant materials
- EPDM encapsulated ductile iron wedge ensures effective sealing
- Full bore design eliminates blockages
- Anti-friction components for lower operating torques
- Integrated cast in foot design provides stability
- Isolated fasteners are encapsulated with hot melt silicon coating
- Valve can be installed in either the vertical or horizontal position.
- 10 Year Manufacturer's Warranty against Defects.

COMPONENTS

ITEM	PART	MATERIAL	STANDARD
1	Body	Ductile Iron Gr 500-7	AS 1831
2	Wedge	Ductile Iron Gr 500-7, EPDM encapsulated	AS 1831 AS 1646
3	Stem Nut	DR Brass C48600	AS 1568
4	Stem	Stainless Steel Gr 431	ASTM A276
5	Bonnet Gasket	EPDM	AS 1646
6	Bolts – Bonnet, Gland & Stem Cap	Stainless Steel Gr 316	ASTM A276
7	Bonnet	Ductile Iron Gr 500-7	AS 1831
8	Gland	Ductile Iron Gr 500-7	AS 1831
9	Stem Cap	Ductile Iron Gr 500-7	AS 1831
10	Bushing	DR Brass C48600	AS 1568
11	O-Ring Seal	NBR	AS 1646
12	Gland O-Ring	NBR	AS 1646
13	Stem Seals	NBR	AS 1646
14	Bushing	DR Brass C48600	AS 1568
15	Dust Cover	EPDM	AS 1646



DIMENSIONS

DN	L1	H1	H2	D1	PCD	n-d	b	No Turns	Torque In Nm	Weight kg	ACC	CC
125	254	125	420	250	210	8-18d	21	26	80	41	VGF12	VGF12C

CIVILPIPES PTY LTD

ABN 30 168 566 667
2 Potassium St. Narangba Qld 4504
PO Box 304, North Lakes Qld 4509



Web:
civilpipes.com.au



Telephone:
+61 7 3053 3456



E-mail:
sales@civilpipes.com.au

